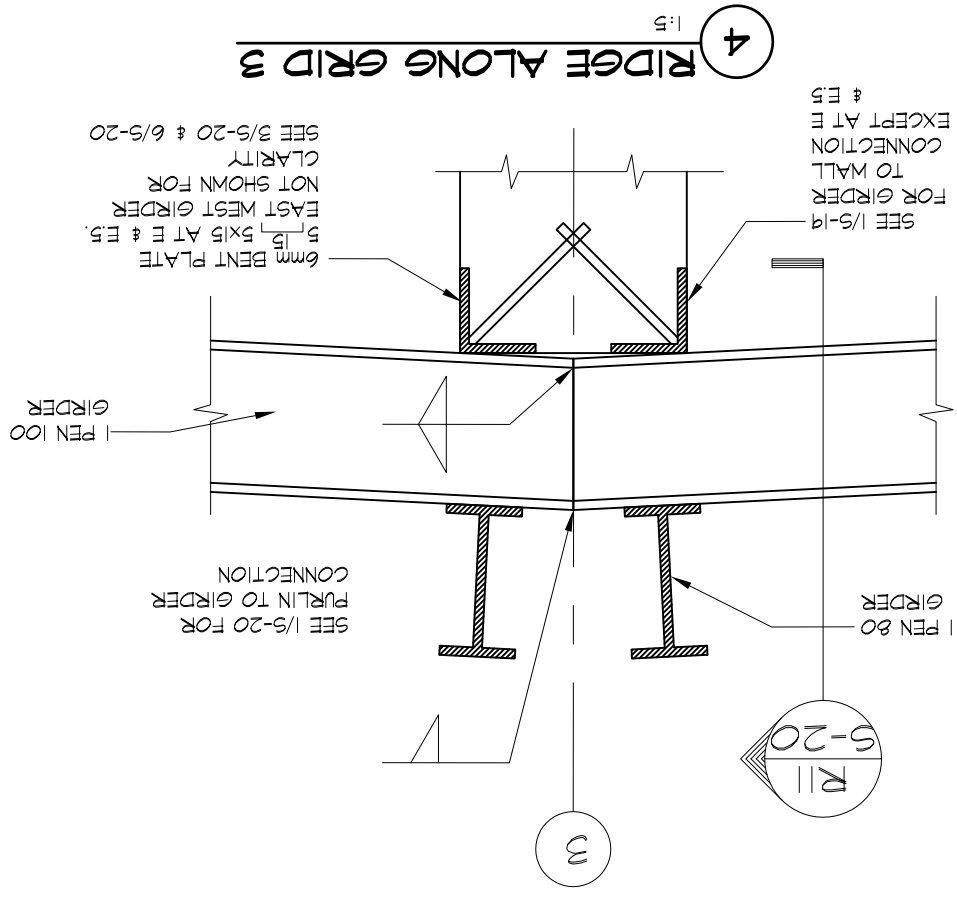
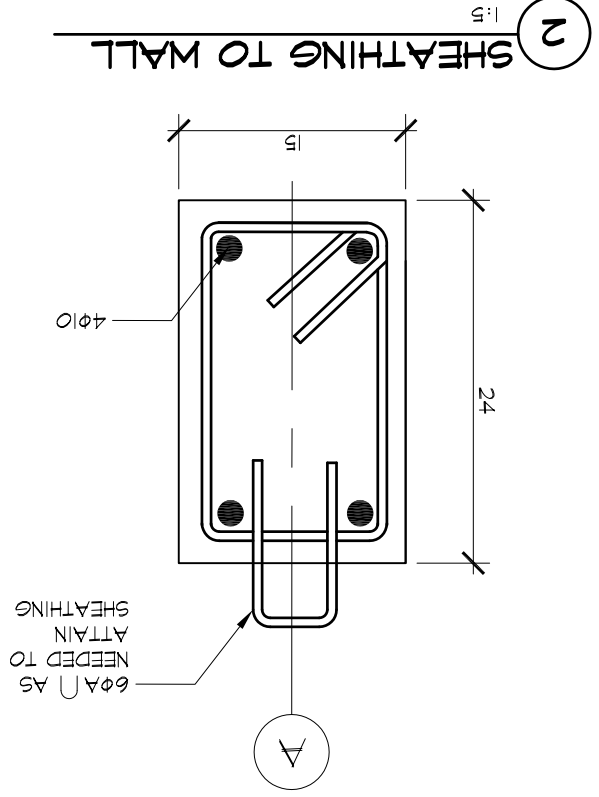


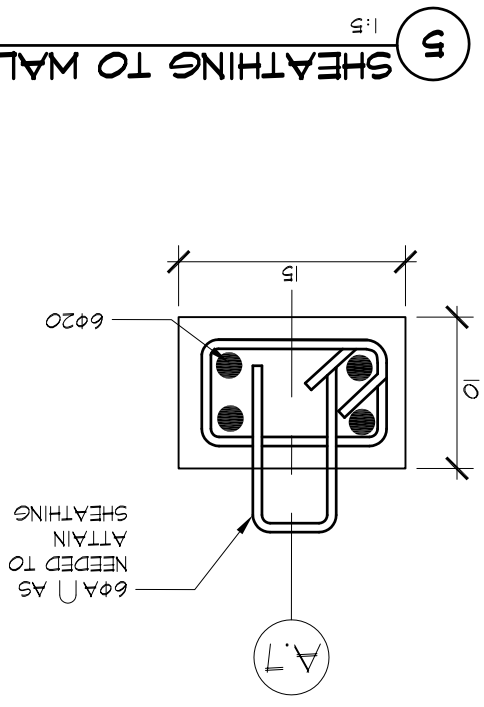
1 PURLIN TO GIRDER



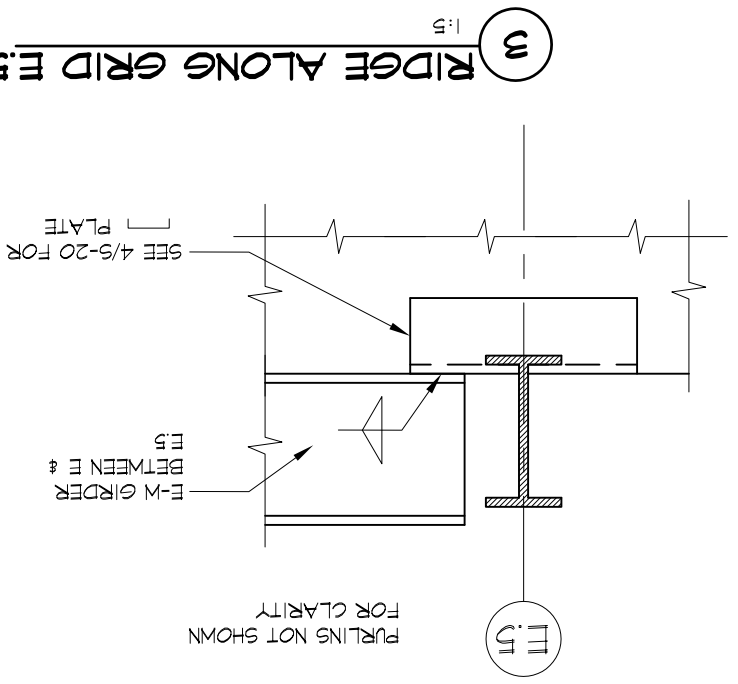
4 RIDGE ALONG GRID 3



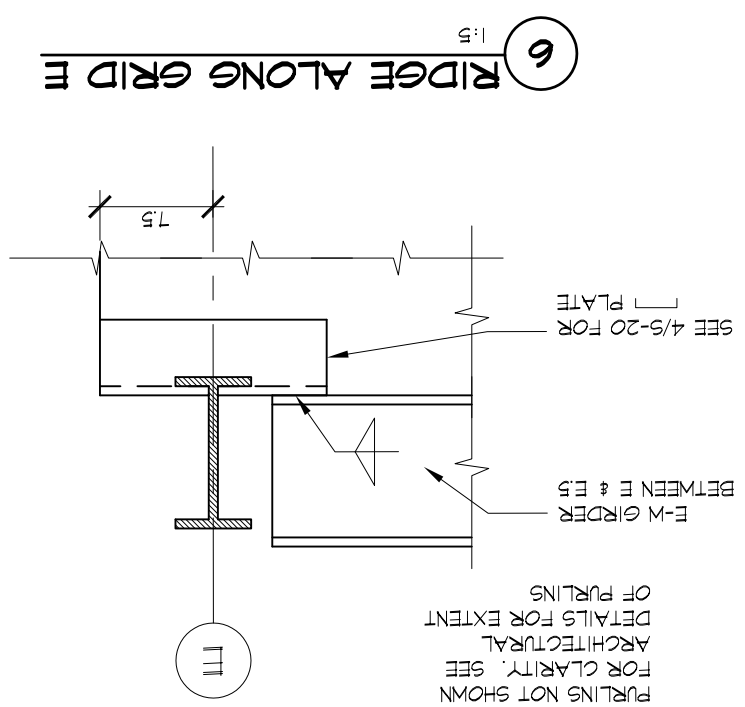
2 SHEATHING TO WALL



5 SHEATHING TO WALL



3 RIDGE ALONG GRID E.5



6 RIDGE ALONG GRID E

NOTE:  
ALL DIMENSIONS ARE IN CENTIMETERS UNLESS OTHERWISE SPECIFIED. ALL REINFORCING BARS DIAMETERS ARE IN MILLIMETERS.

5-20 SHEET NUMBER  
cm  
1:20 SCALE  
5424 PROJECT  
DEC 2007 DATE ISSUED

THE LORD'S HOUSE - PASSY, SENEGAL  
ROOF DETAILS

**GMI** ...designing a world of hope  
ENGINEERING MINISTRIES INTERNATIONAL  
130 EAST KIONA ST. STE 200 COLORADO SPRINGS, CO 80903  
PHONE: (719) 683-2078 FAX: (719) 683-2470 WWW.EMHUSA.ORG