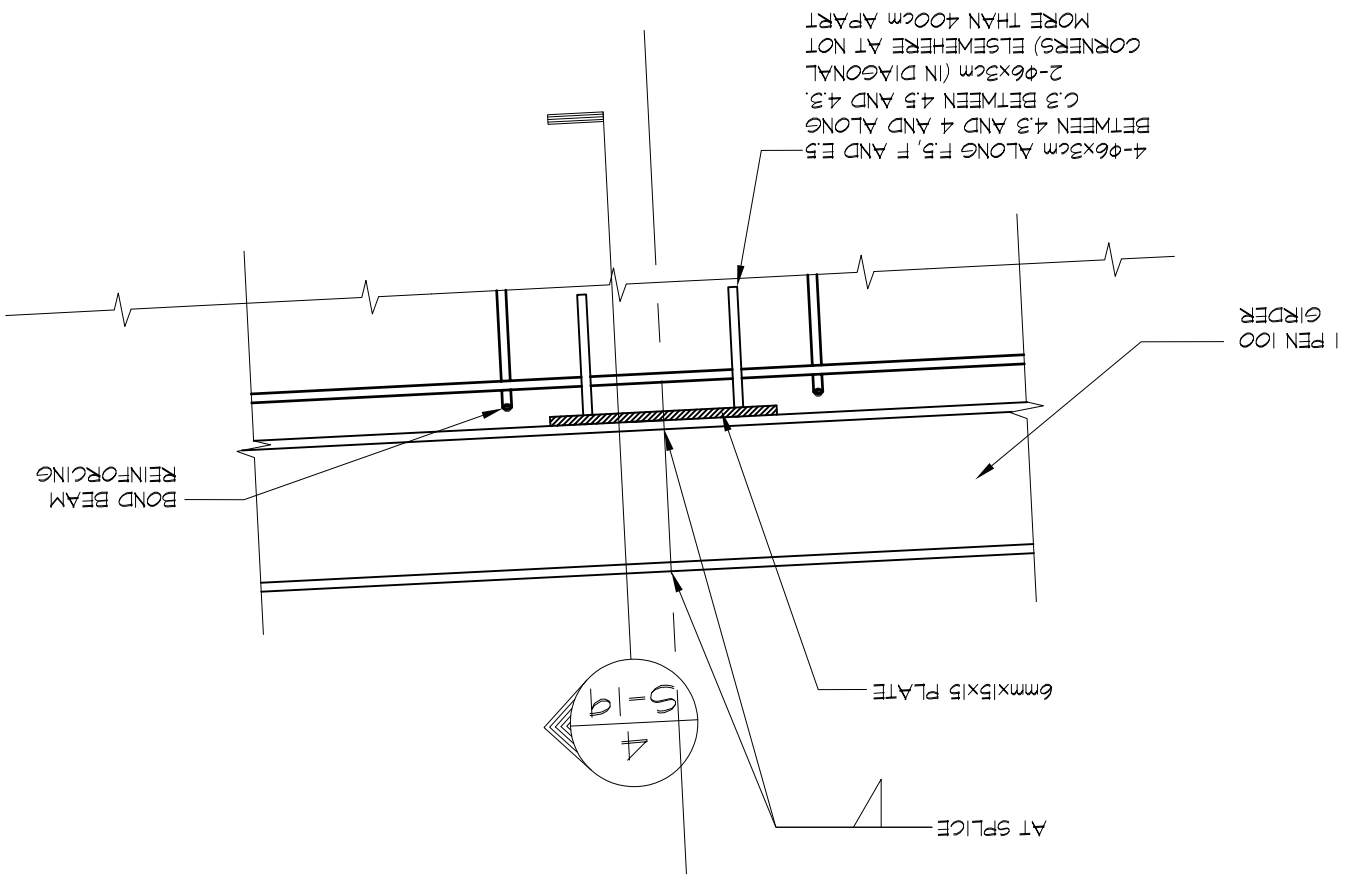
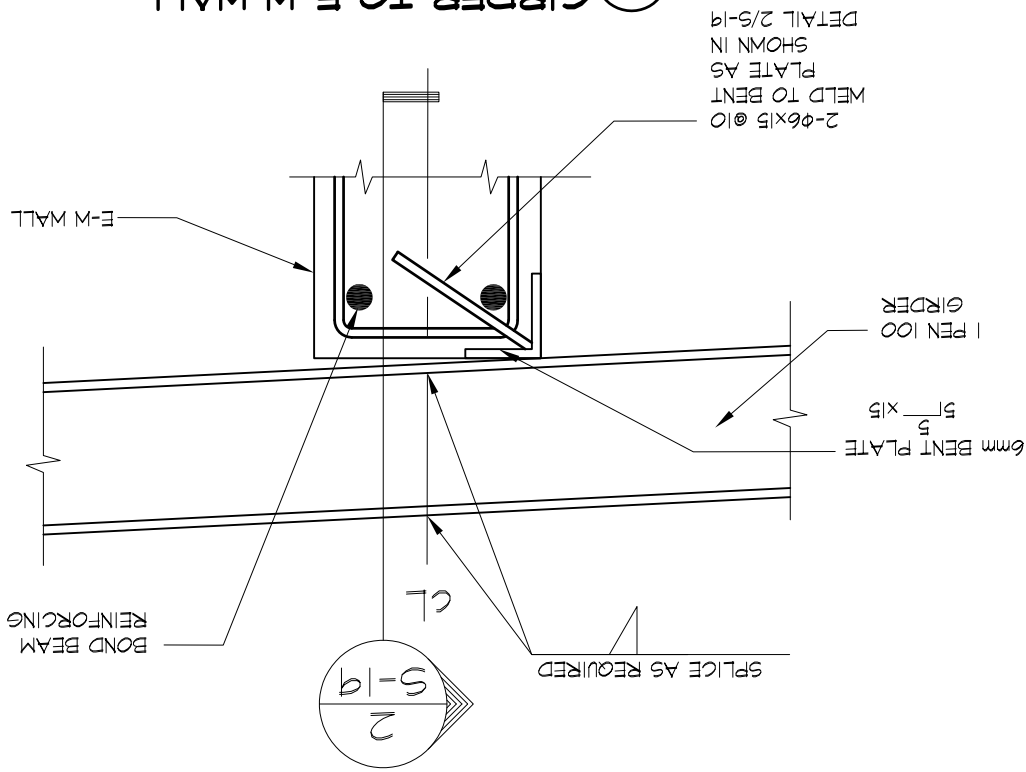


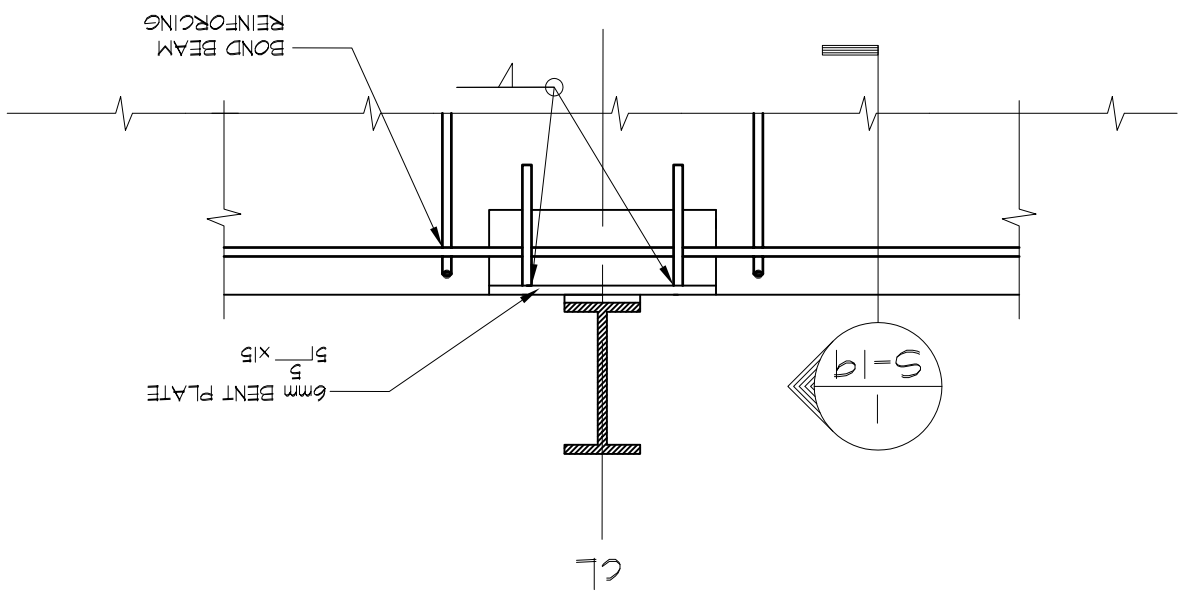
3 GIRDER TO N-S WALL
1:5



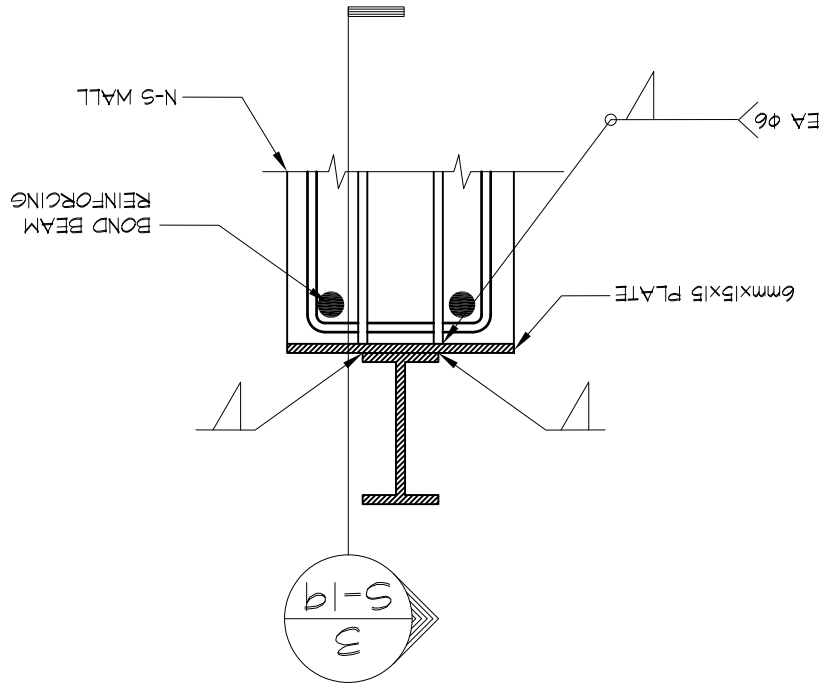
1 GIRDER TO E-W WALL
1:5



2 GIRDER TO E-W WALL
1:5



4 GIRDER TO N-S WALL
1:5



NOTE:
ALL DIMENSIONS ARE IN CENTIMETERS UNLESS OTHERWISE SPECIFIED. ALL REINFORCING BAR DIAMETERS ARE IN MILLIMETERS.

PROJECT: 5424
SCALE: 1:20
DATE ISSUED: DEC 2007
SHEET NUMBER: S-19

THE LORD'S HOUSE - PASSY, SENEGAL
ROOF DETAILS