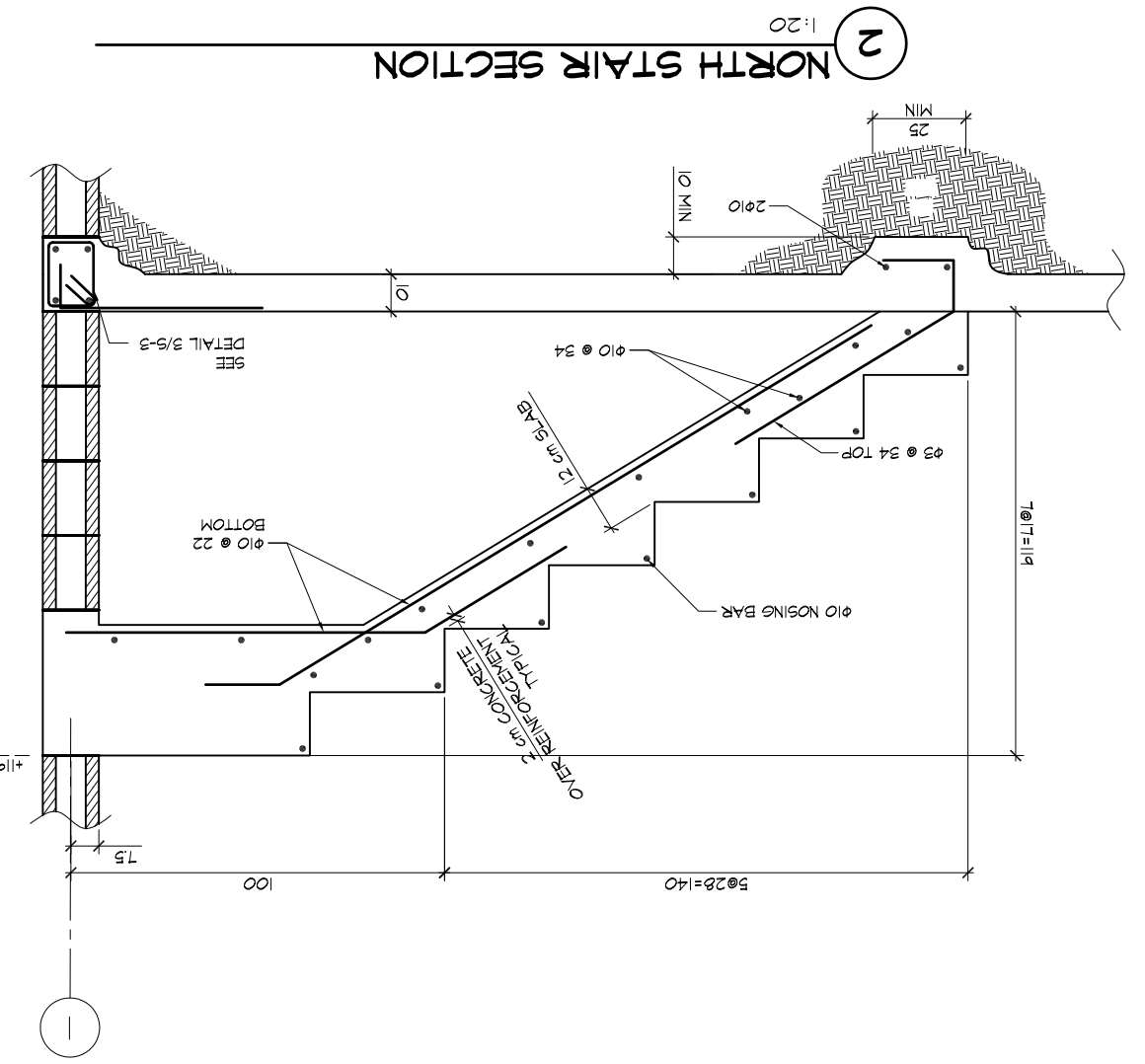
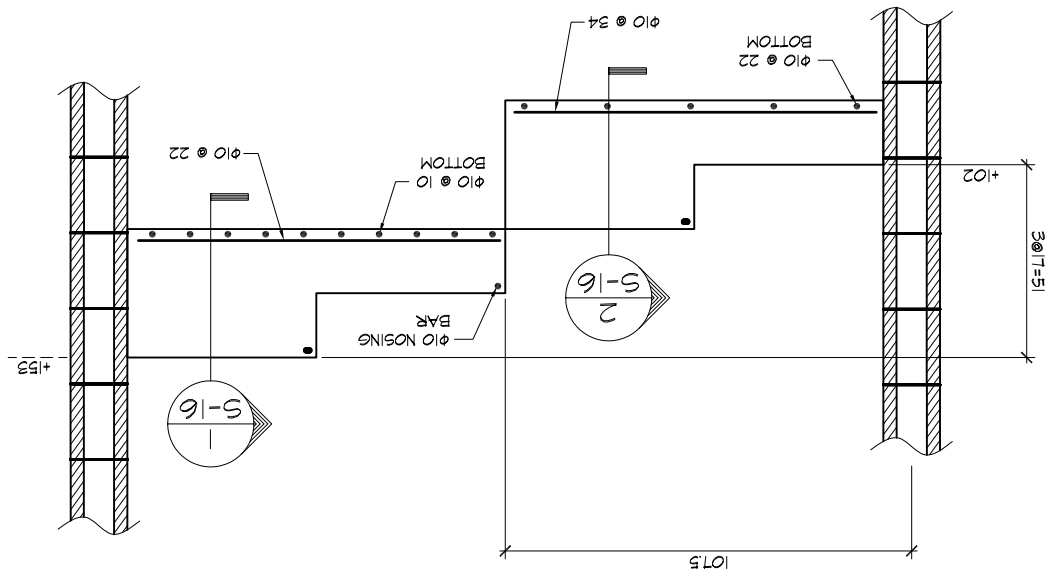
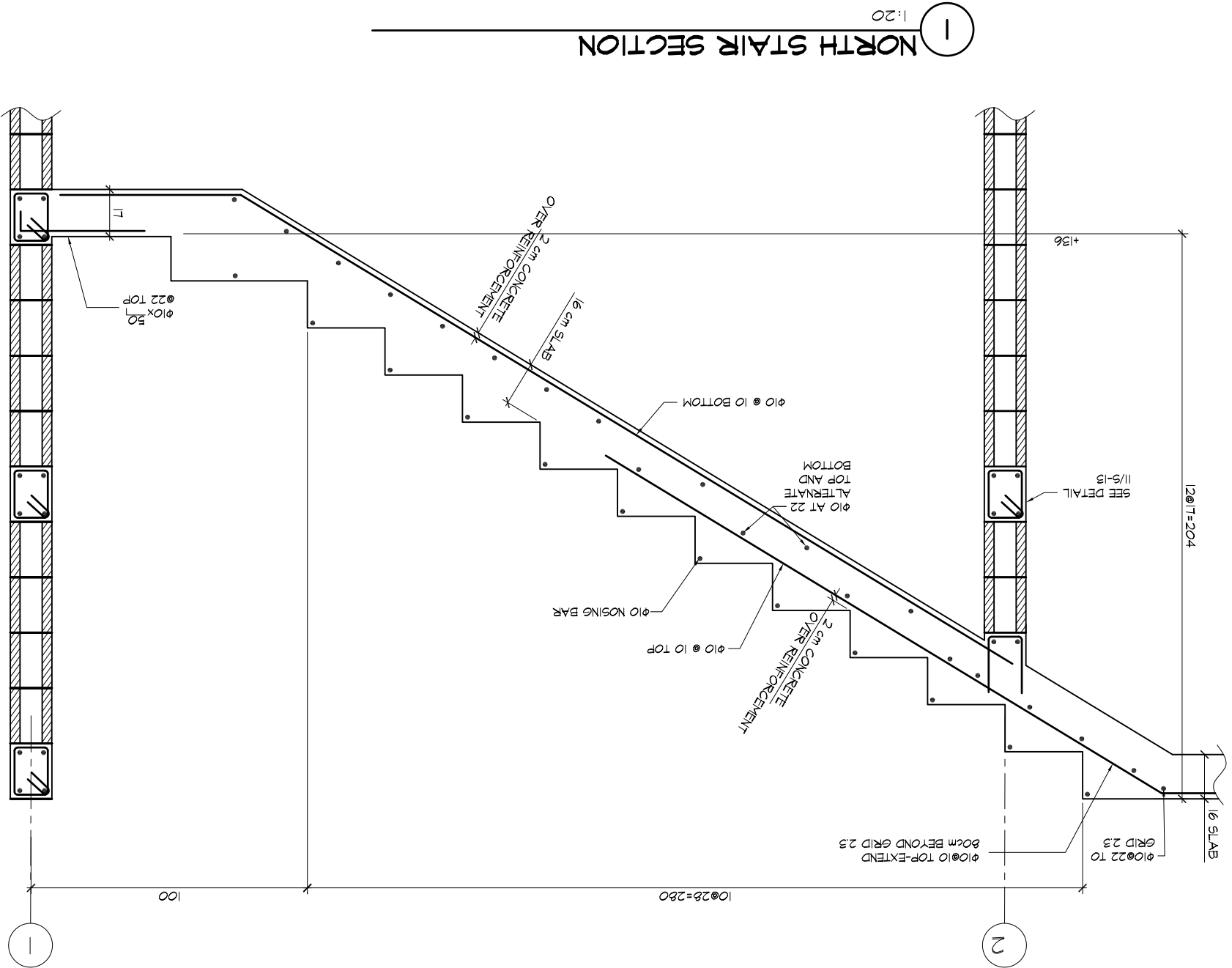


NOTE:
ALL DIMENSIONS ARE IN
CENTIMETERS UNLESS OTHERWISE
SPECIFIED. ALL REINFORCING BAR
DIAMETERS ARE IN MILLIMETERS.



3 NORTH STAIR SECTION
1:20

2 NORTH STAIR SECTION
1:20

1 NORTH STAIR SECTION
1:20

5-16 SHEET NUMBER
cm
1:20 SCALE:
5424 PROJECT:
DEC 2007 DATE ISSUED:

THE LORD'S HOUSE - PASSY, SENEGAL
NORTH STAIR

GMI ...designing a world of hope
ENGINEERING MINISTRIES INTERNATIONAL
130 EAST KIONA ST. STE 200 COLORADO SPRINGS, CO 80903
PHONE: (719) 683-2078 FAX: (719) 683-2470 WWW.EMUSA.ORG