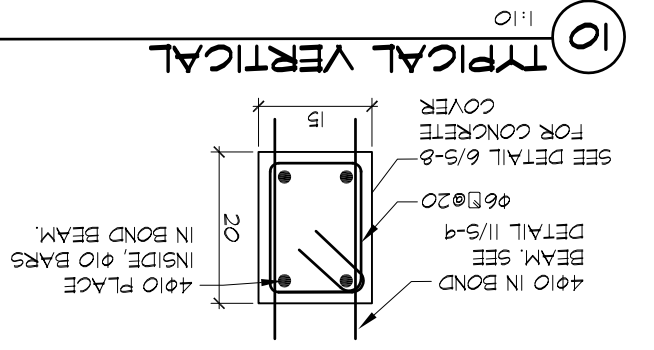
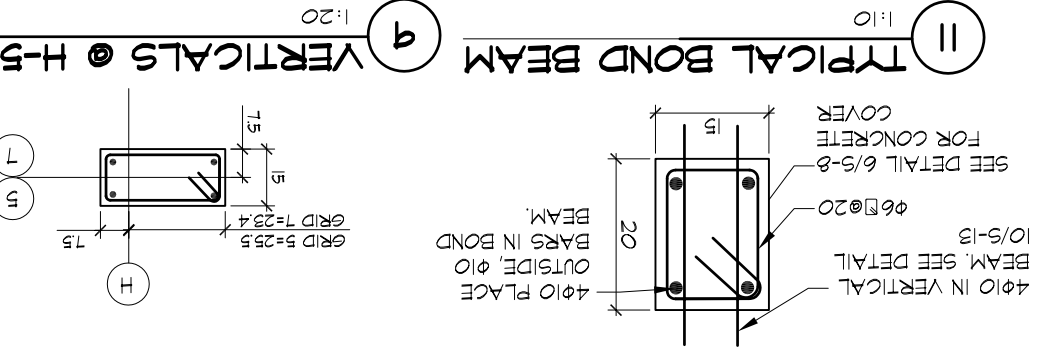
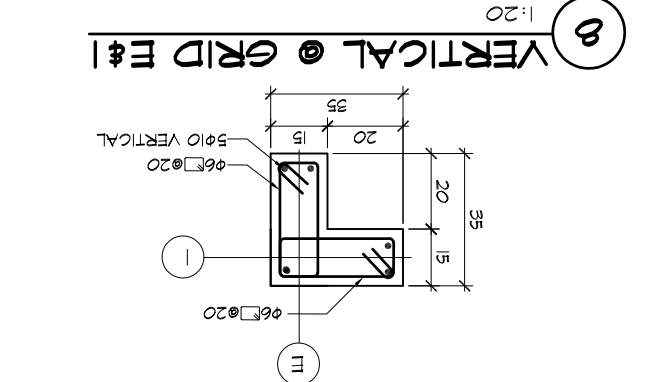
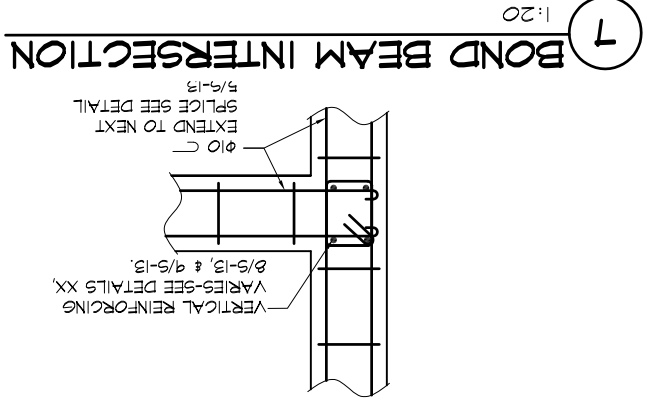
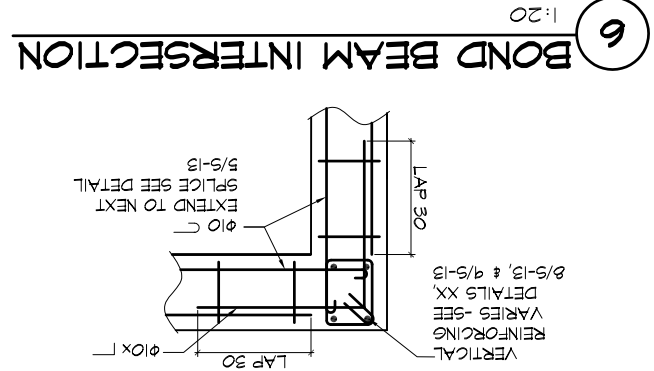
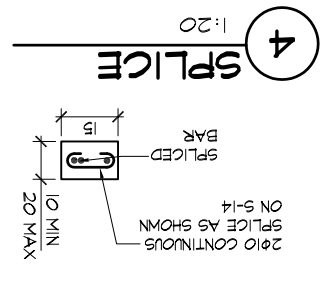
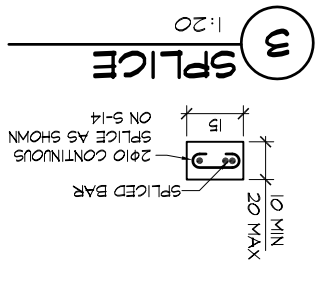
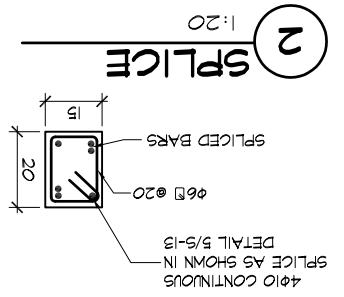
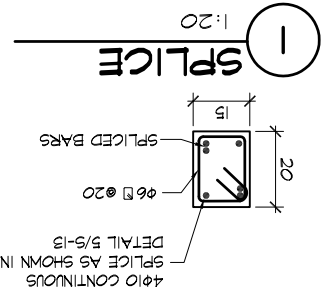
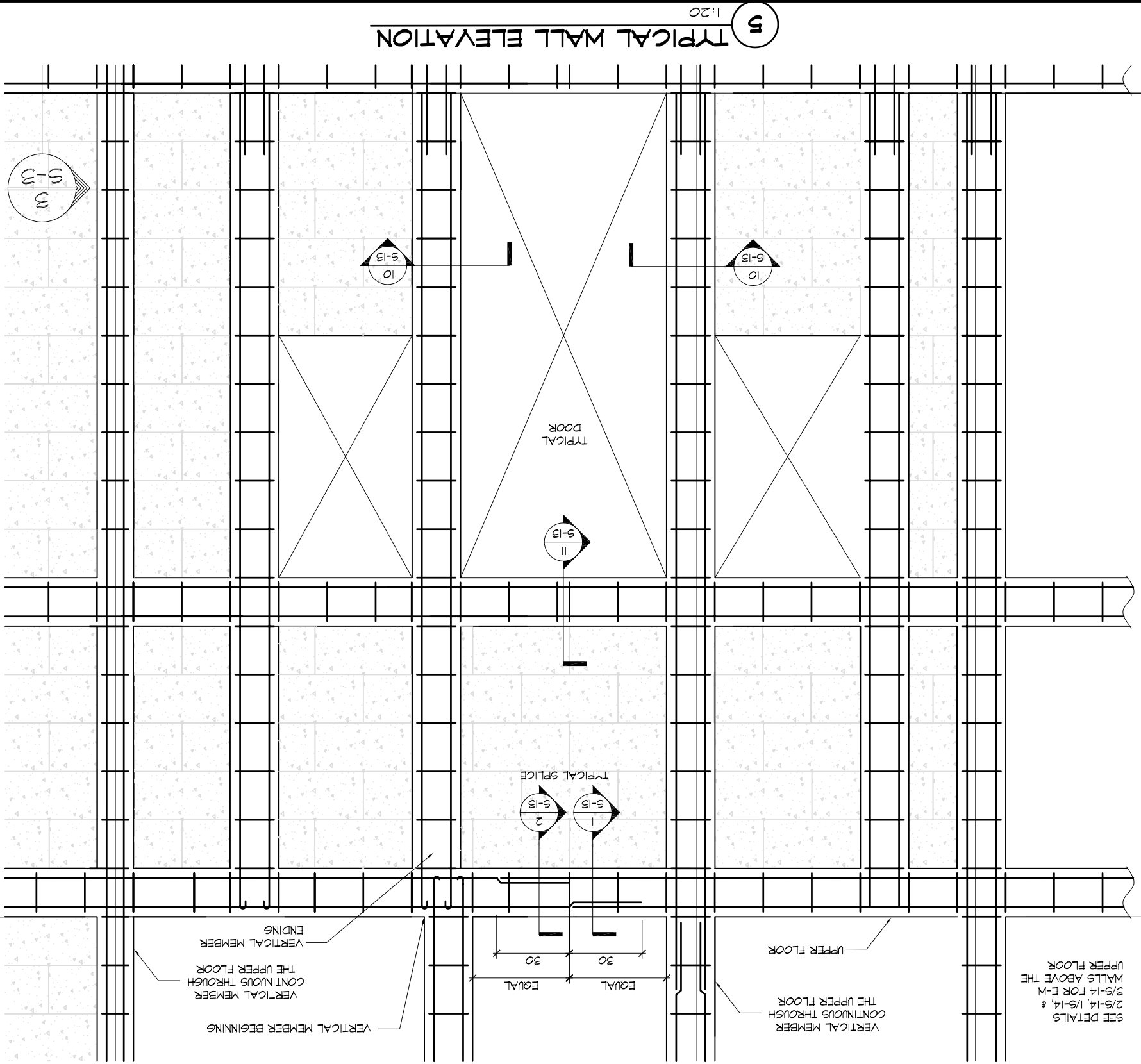


NOTE:
ALL DIMENSIONS ARE IN CENTIMETERS UNLESS OTHERWISE SPECIFIED. ALL REINFORCING BAR DIAMETERS ARE IN MILLIMETERS.



SHEET NUMBER
5-13

DATE ISSUED:
DEC 2007

PROJECT:
5424

SCALE:
REFER TO VIEW

THE LORD'S HOUSE - PASSY, SENEGAL
WALL ELEVATIONS

GMI ...designing a world of hope
ENGINEERING MINISTRIES INTERNATIONAL
130 EAST KIOMA ST. STE 200 COLORADO SPRINGS CO 80905
PHONE: (719) 653-2078 FAX: (719) 653-2470 WWW.EMUSA.ORG