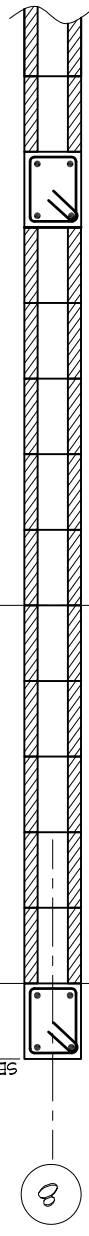
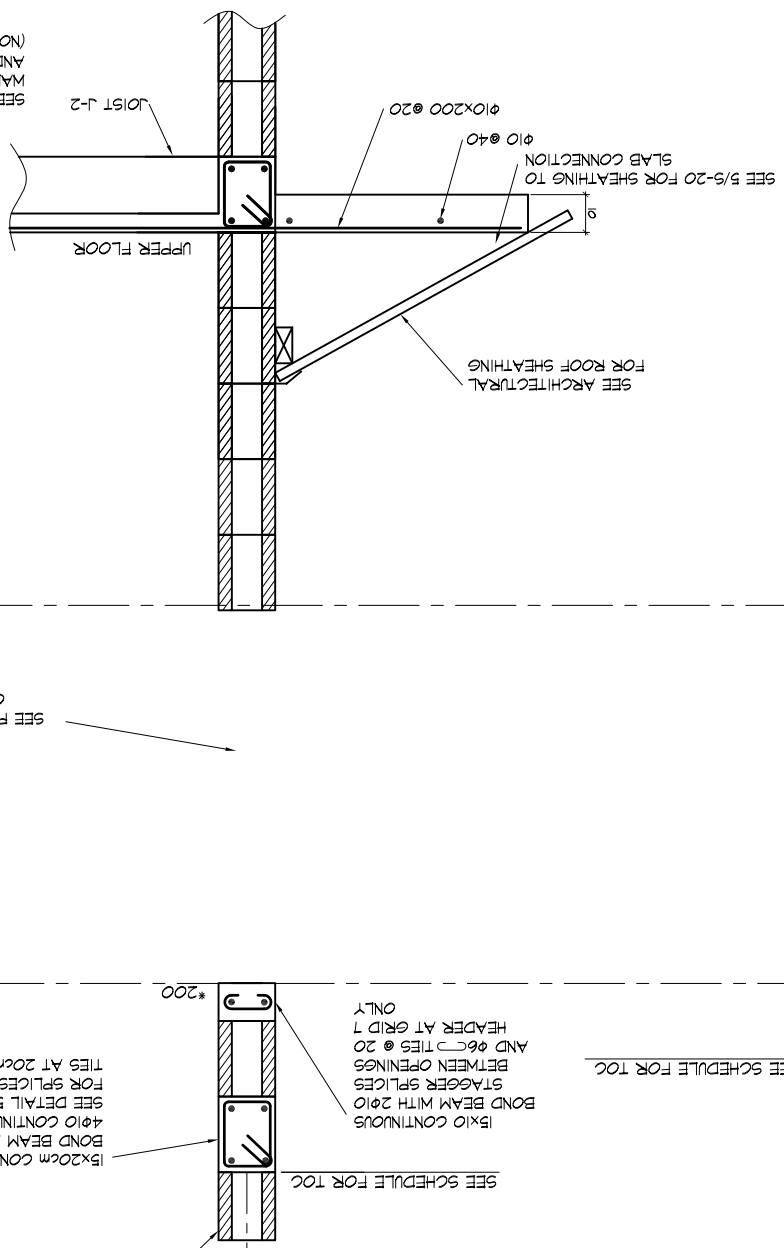


SECTION 1
1:20

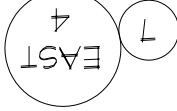


SEE SCHEDULE FOR TOC

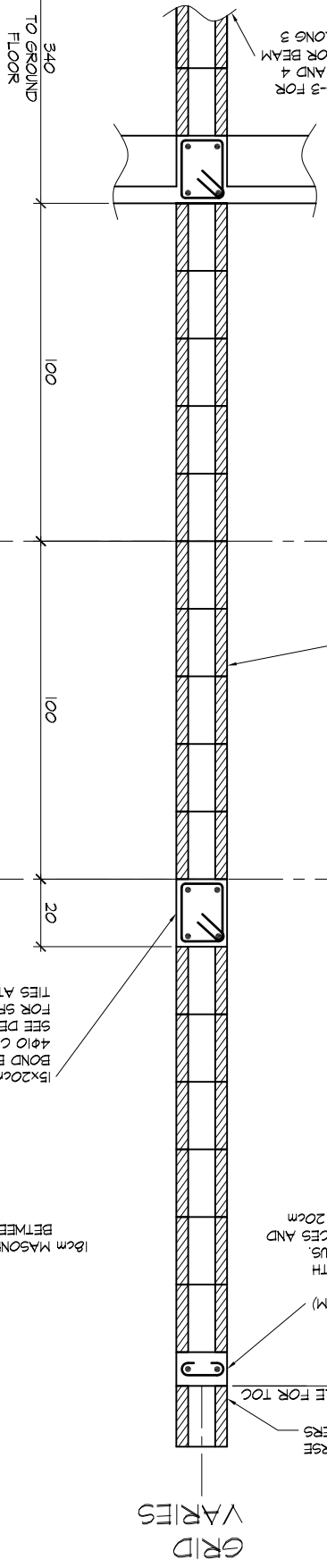
SECTION 2
1:20



SEE SCHEDULE FOR TOC

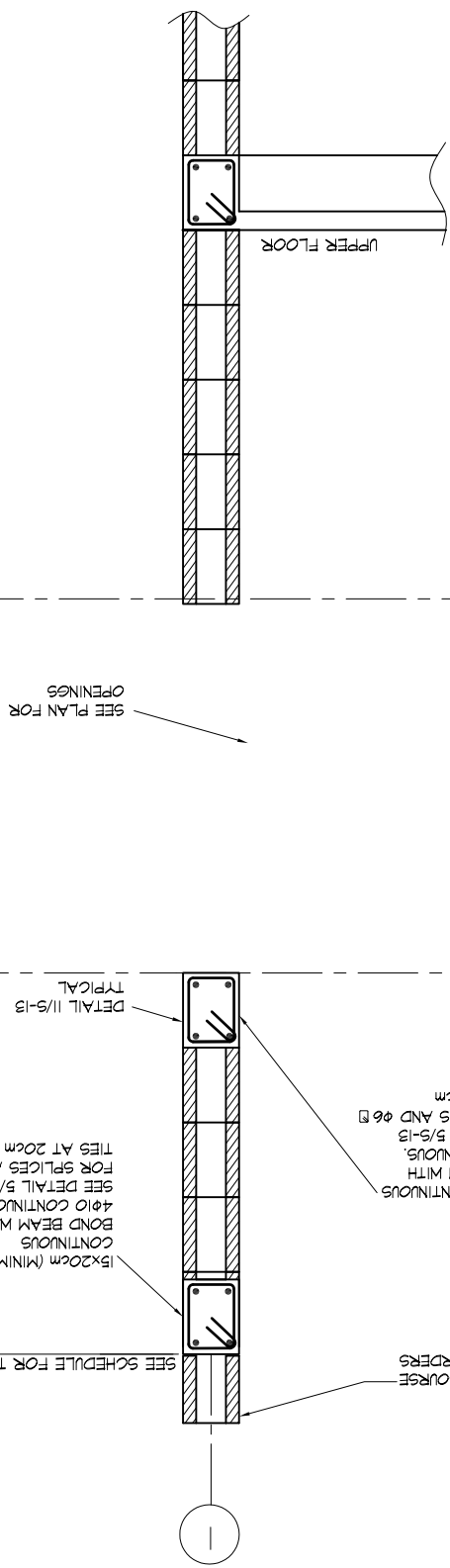


SECTION 3
1:20



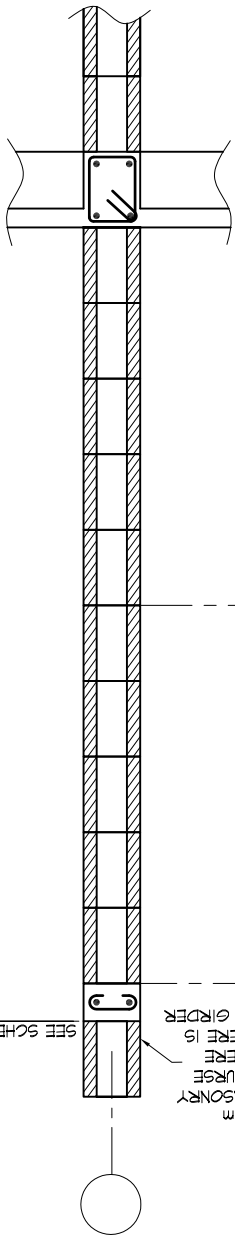
SEE SCHEDULE FOR TOC

SECTION 4
1:20



SEE PLAN FOR OPENINGS

SECTION 5
1:20



SEE SCHEDULE FOR TOC

* TOP OF CONCRETE (TOC) IS THE DEISTANCE IN CENTIMETERS ABOVE THE UPPER FLOOR

SCHEDULE OF TOC*		
GRID	TOC	DEPTH OF BOND BEAM
1	303.6	23.6
1.4	326.8	26.8
2	356.5	16.5
2.3	374.7	14.7
3	416.1	16.1
3.5	389.4	29.4
WEST 4	356.5	16.5
EAST 4	250.0	10.0
WEST 4.3	339.3	19.3
EAST 4.3	267.3	27.3
5	303.3	23.3
5.3	292.0	12.0
6	268.0	28.0
7	250.0	20.0
8	232.8	12.8

NOTE:
ALL DIMENSIONS ARE IN CENTIMETERS UNLESS OTHERWISE SPECIFIED. ALL REINFORCING BAR DIAMETERS ARE IN MILLIMETERS.
* NUMBERS ARE THE DISTANCE IN CENTIMETERS ABOVE THE UPPER FLOOR

PROJECT: 5424
SCALE: REFER TO VIEW
DATE ISSUED: DEC 2007

THE LORD'S HOUSE - PASSY, SENEGAL
WALL SECTIONS

GM... designing a world of hope
ENGINEERING MINISTRIES INTERNATIONAL
130 EAST KIOMA ST. STE 200 COLORADO SPRINGS CO 80903
PHONE: (719) 653-2078 FAX: (719) 653-2470 WWW.EMUSA.ORG