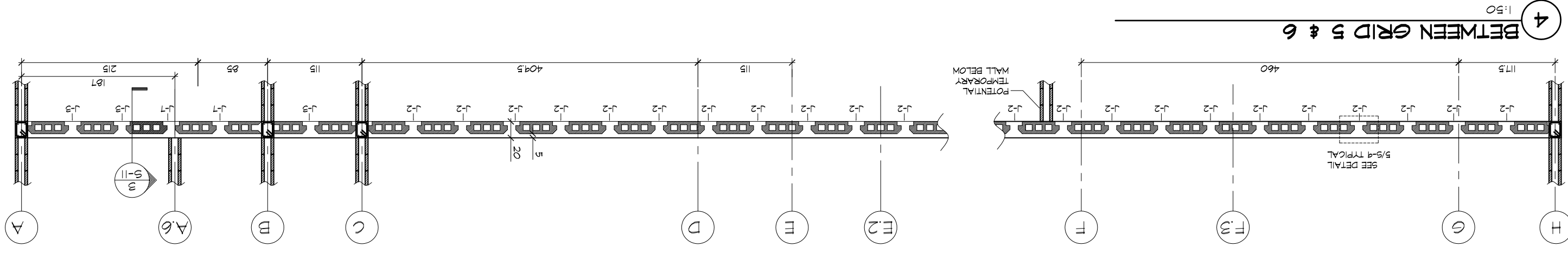
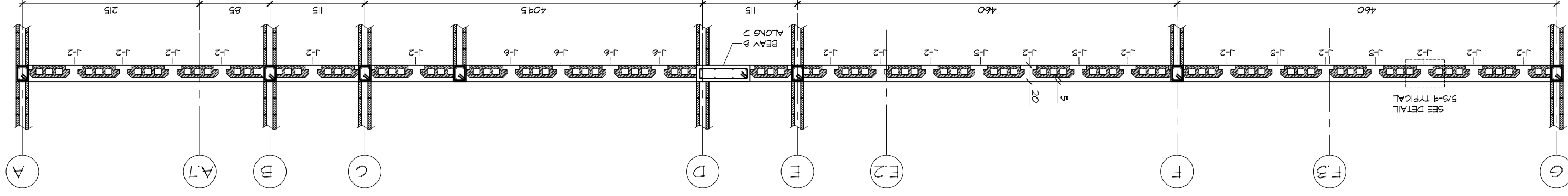
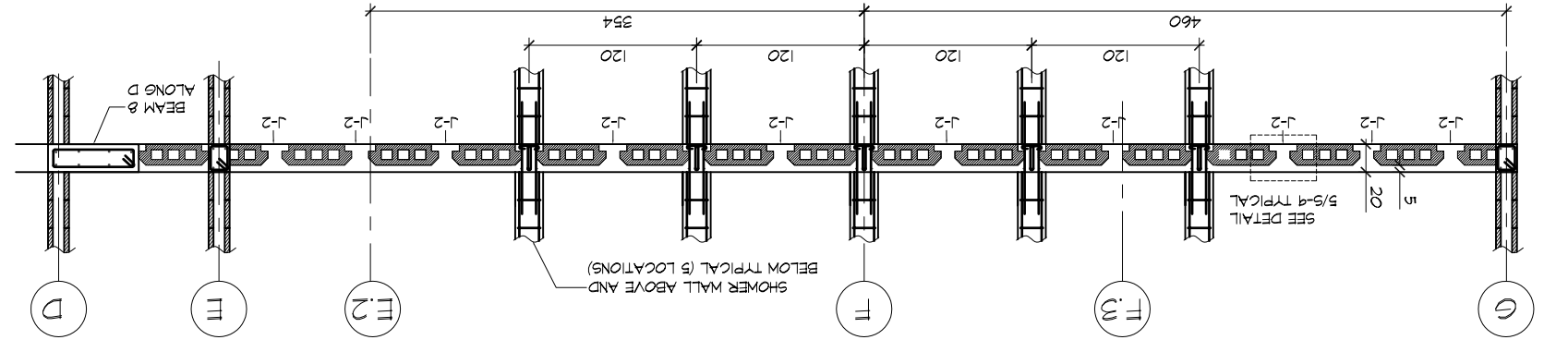
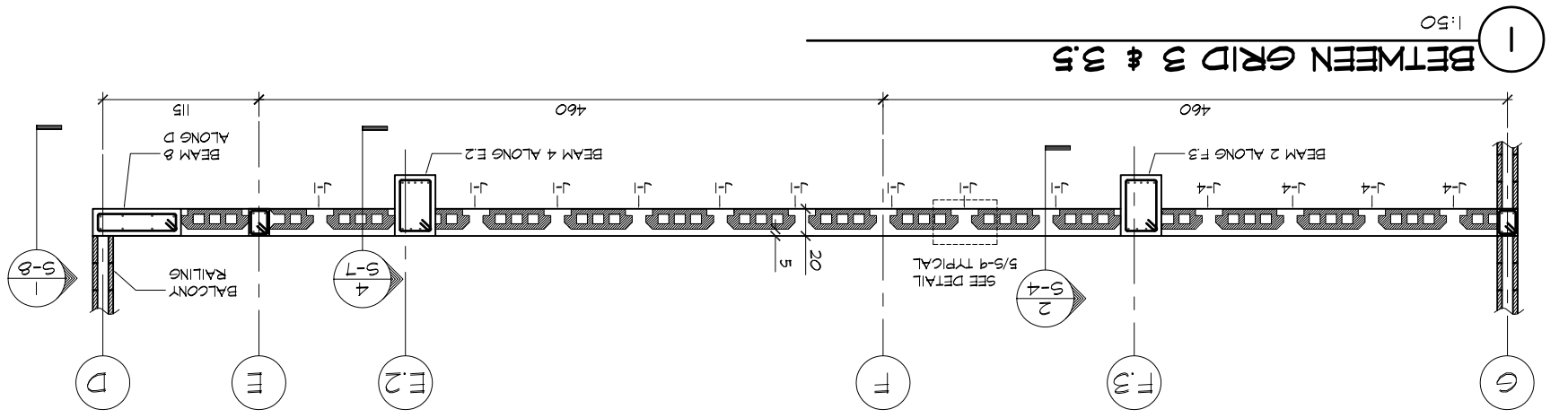


NOTE:
 ALL DIMENSIONS ARE IN
 CENTIMETERS UNLESS OTHERWISE
 SPECIFIED. ALL REINFORCING BAR
 DIAMETERS ARE IN MILLIMETERS.



SHEET NUMBER
 5-10

DATE ISSUED:
 DEC 2007

PROJECT:
 5424

SCALE:
 REFER TO VIEW

THE LORD'S HOUSE - PASSY, SENEGAL
 UPPER FLOOR DETAILS

GMI
 ...designing a world of hope
 ENGINEERING MINISTRIES INTERNATIONAL
 130 EAST KIOMA ST. STE 200 COLORADO SPRINGS CO 80903
 PHONE: (719) 633-2070 FAX: (719) 633-2570 WWW.EMUSA.ORG